



**Ultra Compact
LTE Commercial
Router for Security
Cameras, Digital
Signage, IoT
and Small Business**

LX40 Product Description

The AirLink® LX40 is a compact LTE router offering “out-of-the box” LTE and Wi-Fi connectivity that is simple to install. Supports security, digital signage and IoT applications in fixed, protected environments.

AIRLINK LX40 LTE

Cat 4 LTE router capable of 150 Mbps downlink and 50 Mbps uplink speeds.

Ideal Applications

IoT and enterprise applications including:

- Surveillance cameras
- Digital signage
- POS terminals
- Smart lockers
- Small business connectivity
- Distance learning

Benefits

- Out-of-the-box connectivity speeds time to operation
- Connect to a wide variety of devices from video to low-power IoT
- Compact size helps expand application deployment
- Leverage the world of IoT to drive new business opportunities

AirLink LX40 – Router Specifications

CELLULAR	
Peak D/L	
North America	LX40 LTE – Up to 150 Mbps, Cat-4 (WP7610)
EMEA	LX40 LTE – Up to 150 Mbps, Cat-4 (WP7607)
AU&NZ	LX40 LTE – Up to 150 Mbps, Cat-4 (WP7609)
Peak U/L	
North America	LX40 LTE – Up to 50 Mbps
EMEA	LX40 LTE – Up to 50 Mbps
AU&NZ	LX40 LTE – Up to 50 Mbps
4G LTE	
Frequency Bands	
North America	LX40 LTE – B1, B4, B5, B12, B13, B14, B17, B66
EMEA	LX40 LTE – B1, B3, B7, B8, B20, B28
AU&NZ	LX40 LTE – B1, B3, B5, B7, B8, B28
3G WCDMA/HSPA+	
Frequency Bands	
North America	LX40 LTE – B2, B4, B5
EMEA	LX40 LTE – B1, B8
AU&NZ	LX40 LTE – B1, B5, B8
2G GSM/GPRS	
EMEA	LX40 LTE – 900, 1800

APPROVALS	
Regulatory	
North America	LX40 LTE – FCC, IC, PTCRB
EMEA	LX40 LTE – GCF, CE
AU&NZ	LX40 LTE – GCF, RCM
Carrier	
North America	LX40 LTE – AT&T, Verizon, T-Mobile
PART NUMBERS	
North America	LX40 LTE – 1104579, 1104573 (WiFi)
EMEA	LX40 LTE – 1104181, 1104182 (Wi-Fi)
AU&NZ	LX40 LTE – 1104183, 1104184 (Wi-Fi)
HOST INTERFACES	
1 Gigabit RJ-45 Ethernet Port (POE) USB 2.0 Micro-B Connector 2 SMA antenna connectors (cellular, diversity) 1 RP SMA antenna connector (Wi-Fi)	
SECURITY	
Remote Authentication (LDAP, RADIUS, TACACS+) DMZ Inbound and Outbound Port filtering Inbound and Outbound Trusted IP MAC Address Filtering PCI compatible Secure Firmware Update	

AirLink LX40 – Router Specifications

WI-FI (Optional)	
	Dual Band 2.4/5GHz Wi-Fi 802.11 b/g/n/ac (Wave2 Client Mode) Support for 10 clients, WPA2 Enterprise Output power 16dBm per channel Access Point or Client Mode (Wi-Fi as WAN) Single SSID Support Captive Portal
LAN (ETHERNET/USB)	
	DHCP Server IP Passthrough VLAN Host Interface Watchdog PPPoE
ENVIRONMENTAL	
Temperature	Operating Temperature: -20°C to +65°C / -4°F to +149°F (+60°C / +140°F when using PoE) Storage Temperature: -40°C to +85°C / -40°F to +185°F Humidity: 90% RH @ 60°C
	Military Spec MIL-STD-810G conformance to shock, vibration, thermal shock, and humidity IP21 rated ingress protection
POWER	
Input/Operating Voltage	7 to 36 VDC
Power modes	Low voltage disconnect to prevent battery drain Built-in protection against voltage transients Power-over-Ethernet (PoE) powered device Ignition Sense with time delay shutdown
INPUT/OUTPUT	
	Configurable I/O pin on power connector <ul style="list-style-type: none"> Digital Inputs: ON Voltage: 2.7 to 36 VDC Configurable Pull-ups for dry contact input Digital Open Collector Output > sinking 500 mA Analog Inputs: 0.5-36VDC (range selectable)

*For carrier specific band support please refer to the hardware user guide.

NETWORK AND ROUTING	
	Network Address Translation (NAT) Reliable Static Route Port Forwarding Dynamic DNS Policy Routing Verizon PNTM NEMO/DMNR IPV6 Gateway VRRP
VPN	
	IPsec, GRE, and OpenVPN Client Up to 5 concurrent tunnels Split Tunnel Dead Peer Detection (DPD)
ROUTER MANAGEMENT INTERFACES	
	Local web user interface AT Command Line Interface (Telnet/SSH) SNMP SMS Commands
APPLICATION FRAMEWORK	
	ALEOS Application Framework (AAF) LUA Scripting Language
EVENTS ENGINE	
	Custom event triggers and reports Configurable interface, no programming Event Types: Digital Input, Network Parameters, Data Usage, Timer, Power, Device Temperature and Voltage Report Types: RAP, SMS, Email, SNMP Trap, TCP (Binary, XML, CSV) Event Actions: Drive Relay Output
INDUSTRY CERTIFICATIONS	
Safety	IECEE Certification Bodies Scheme (CB Scheme), UL 60950
Vehicle Usage	E-Mark (UN ECE Regulation 10.04), ISO7637-2, SAE J1455 (Shock, Vibration, Electrical)
Environmental	RoHS2, REACH, WEEE
Public Safety	FirstNet®
SUPPORT AND WARRANTY	
	1 year standard warranty with up to 5 years extended warranty with current AirLink Complete subscription. Unrestricted critical firmware updates.

AirLink LX40 – Router Specifications

ACCESSORIES

In the box LX40, DC Power Cable and Quick Start Guide
Other Accessories (sold separately):

- 2000579 AC Adapter, 12VDC
- 6001221 DIN Rail Bracket
- 6001110 Cellular Paddle Antenna
- 6001111 Wi-Fi 2.4/5Hz Paddle Antenna

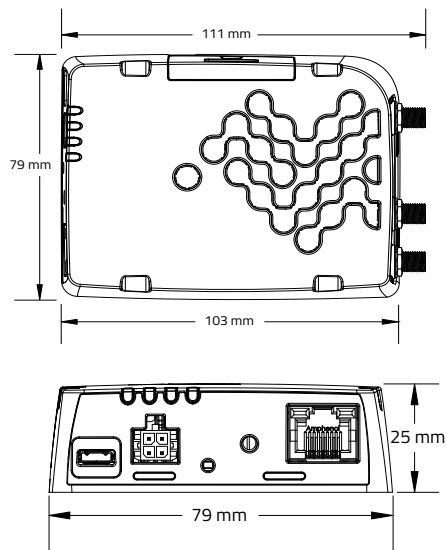
For antenna options visit: sierrawireless.com/antennas

CONSTRUCTION

Polycarbonate housings that meet MIL-810/IP21 environmental standards.

DIMENSIONS

103 mm (111 mm including connectors) x 79 mm x 25 mm
4.1 in (4.4 in including connectors) x 3.1 in x 1.0 in
Weight: 250g



LX40 Services and Support



AIRLINK COMPLETE

Maximize your AirLink LX40 hardware investment and ensure your applications operate at peak efficiency by subscribing to our best-in-class service and support including:

- AirLink Management Service (ALMS) network management
- Optional Advanced Mobility Reporting (AMR)
- 24/7/365 Tier 1 technical support from wireless experts via phone or online access
- Extended hardware warranty – up to 5 years
- For more information on AirLink Complete visit our [web page](#)



PROFESSIONAL SERVICES

Our [Professional Services](#) experts are well-versed in the latest enterprise networking and security standards. Harvesting experience and lessons-learned over thousands of customer deployments, our best practices are expertly tailored to help you architect and deploy your cutting-edge AirLink solutions.



AIRLINK CONNECTION MANAGER

- VPN appliance built from the ground up for AirLink routers & gateways
- Simplify deployment and management of your VPN solution, extending the enterprise to the network edge for fixed and mobile endpoints
- Carrier agnostic – ACM doesn't require fixed and/or public IP
- Compatible with FIPS 140-2, and always-on VPN capability



AIRLINK ANTENNAS

- Tested and certified to provide guaranteed performance with all AirLink routers and gateways
- Accelerate deployment with always-on, end-to-end connectivity
- For more information on antennas specific to the LX40 router visit our [web page](#)

About Sierra Wireless

Sierra Wireless (NASDAQ: SWIR) (TSX: SW) is a world leading IoT solutions provider that combines devices, network services, and software to unlock value in the connected economy. Companies globally are adopting 4G, 5G, and LPWA solutions to improve operational efficiency, create better customer experiences, improve their business models, and create new revenue streams. Sierra Wireless works with its customers to develop the right industry-specific solution for their IoT deployments, whether this is an integrated solution to help connect edge devices to the cloud, a software/API service to manage processes with billions of connected assets, or a platform to extract real-time data to improve business decisions. With more than 25 years of cellular IoT experience, Sierra Wireless is the global partner customers trust to deliver them their next IoT solution.

For more information, visit www.sierrawireless.com.