

ISD-V330

**Rugged In-vehicle Gateway with
Multi-WAN Connectivity**



■ Features

- Intel® Atom™ x6000E series Processor (codenamed Elkhart Lake)
- 1x DDR4 3200MT/s SODIMM slot Up to 32GB
- eMMC 64GB, 1x SATA
- 3x PGN Series Removable Caddy, 1x M.2 3042 B key socket with dual nano-SIM slot for 4G LTE, 1x M.2 2230 E key socket for Wi-Fi
- 2x GbE Ethernet, 3x USB 2.0, 1x USB 3.0, 2x HDMI, TPM, 2x RS232/422/485, 1x CAN 2.0/ J1939/J1708, 4x DIO isolation
- Operating temperature: -40~70°C

■ Specifications

Processor System

CPU	Intel® Atom™ x6425E Processor
Frequency	1.8 GHz
Core Number	Quad-core
BIOS	AMI SPI Flash BIOS
Chipset	SoC
Graphic Processor	Intel® UHD Graphics

Fanless

Yes

Memory

Technology	DDR4 3200MT/s with SODIMM
Max. Capacity	32GB
Socket	1 x 260pin SODIMM

Ethernet

Controller	Intel Integrated Ethernet
Interface	RJ-45

Audio

Controller	N/A
Interface	N/A

Storage

Type	SATA
Installation	1x SATA (reserved)
Type	eMMC
Installation	Onboard eMMC 64GB

I/O

Display	2x HDMI
LAN	2x GbE RJ45
CAN	1x CAN 2.0 (option for J1939/J1708)
COM	2x RS-232/422/485
USB	3x USB 2.0, USB 3.0 Type A
GPS/G-sensor	u-blox NEO-M8N/ADXL 345

Digital I/O

4x digital input with isolation, 5-30V/100mA, 4x digital output with isolation, 30V/2A dry relay configurable either N.C. or N.O., 1x IGN_DI to MCU

Antenna

SMA antenna hole x12 (includes GPS/GLONASS x1)

Expansion

PCIe	1x M.2 3042 B key Socket with dual nano-SIM slot for 4G LTE, 1x M.2 2230 key Socket for Wi-Fi
------	---

Cooling

Processor	Passive CPU heatsink
System	Fanless design with corrugated aluminum

Environment

Operating Temperature	-40~70°C / -40~158°F
Storage Temperature	-40~85°C / -40~185°F
Relative Humidity	5%~95% @ 40°C / 104°F (Storage Level)

Miscellaneous

Hardware Monitoring	Yes
Internal RTC with Li Battery	Yes

Mechanical

Dimension (W x H x D)	273.8 x 73 x 185 mm (10.78" x 2.87" x 7.28")
Weight	3 kg
Mounting	wall mount kit

Power

Connector	3-pin terminal block (+, -, ignition)
Input	Supports DC 9~54V level, support ignition delay on/off control

Driver Support

Microsoft Windows	Windows 10 IoT Enterprise
Linux	Linux kernel 2.6.X or later

Certification

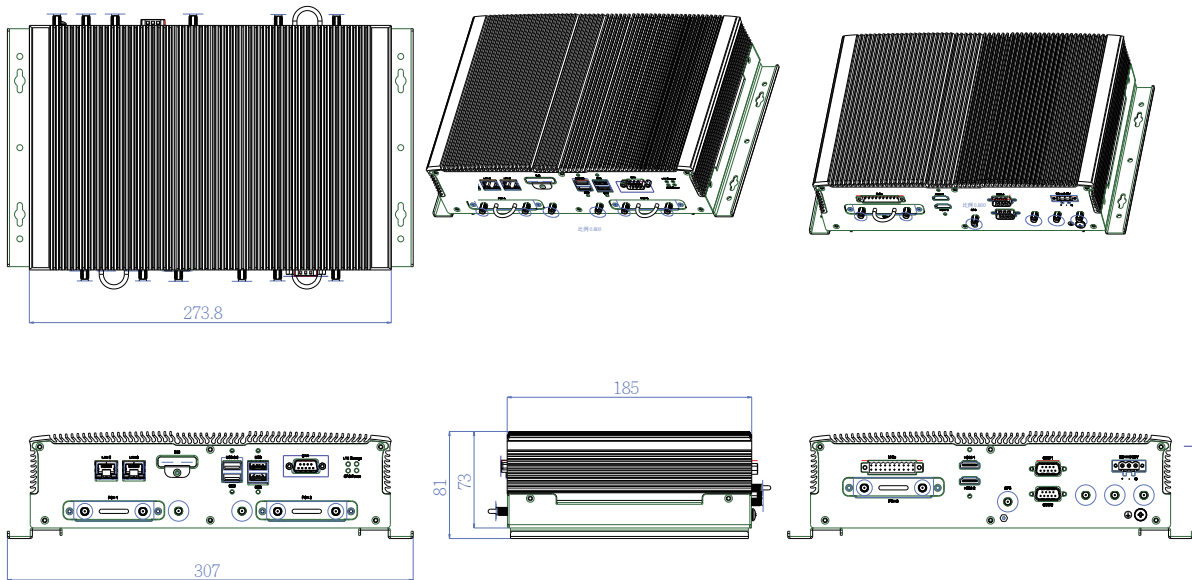
CE/FCC Class A, E13, MIL-STD-810G anti-vibration & shock

Product I/O View



- | | | | |
|--------------------|---------------------------|--------------------|-----------------------|
| A MIO | D GPS antenna hole | G RJ45 LAN | J USB ports |
| B PGN caddy | E COM port | H PGN caddy | K CAN bus port |
| C HDMI | F DC 9~54V input | I SIM slot | |

Dimensions 273.8 x 73 x 185 mm (10.78" x 2.87" x 7.28")



Ordering Information

- | | |
|------------------|---|
| ISD-V330A | Rugged In-vehicle Gateway with Multi-WAN Connectivity with Intel® Atom™ x6000E Processor |
| PGN-300 | 4G LTE Radio Modem with LTE Cat-6 embedded module, certified with PTCRB, AT&T, Verizon |
| PGN-600 | 4G LTE-Advanced Pro Radio Modem with LTE Cat-12 embedded module, certified with PTCRB, AT&T |

V.3-2022.1.19

Lanner

© Lanner Electronics Inc. All rights reserved.
All product specifications are subject to change without notice.
contact@lannerinc.com | www.lannerinc.com